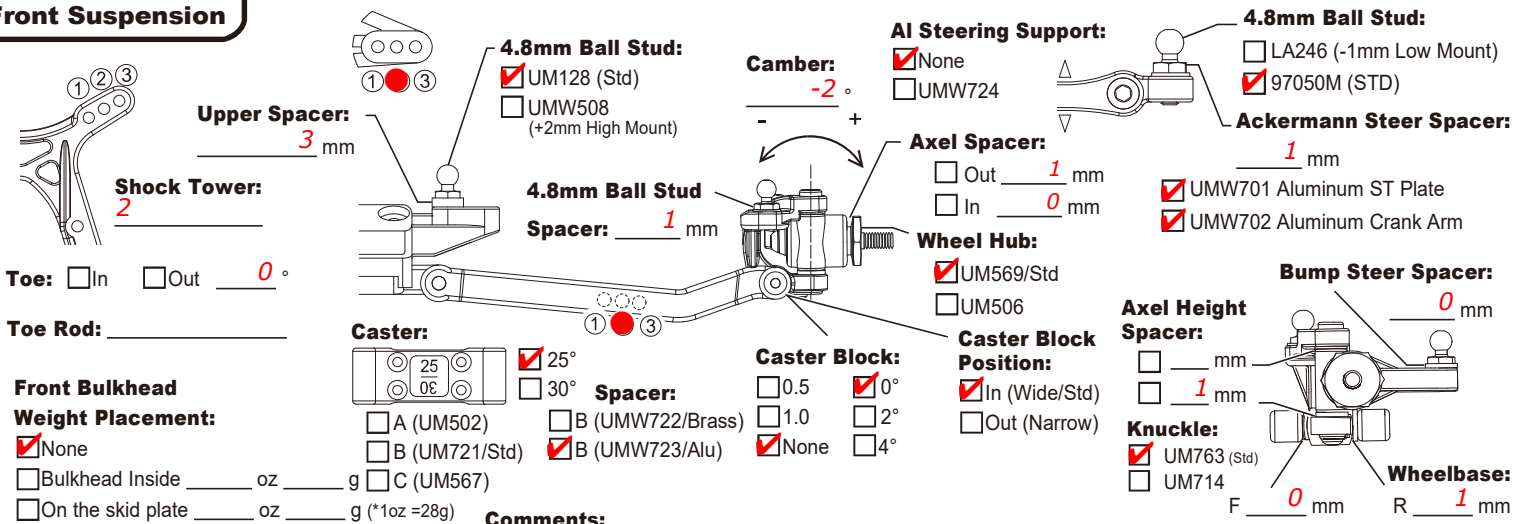


Name: Brennan Schimmel Date: 11/16/19 Track / City: The Track- Gaithersburg, MY Event: Turkey Leg Shootout

Front Suspension



Upper Spacer: 3 mm

Shock Tower: 2

Toe: In Out 0°

Toe Rod: _____

Front Bulkhead Weight Placement:
 None
 Bulkhead Inside _____ oz _____ g
 On the skid plate _____ oz _____ g (*1oz = 28g)

4.8mm Ball Stud:
 UM128 (Std)
 UMW508 (+2mm High Mount)

4.8mm Ball Stud Spacer: 1 mm

Camber: -2°

AI Steering Support:
 None
 UMW724

Wheel Hub:
 UM569/Std
 UM506

4.8mm Ball Stud:
 LA246 (-1mm Low Mount)
 97050M (STD)

Ackermann Steer Spacer: 1 mm

UMW701 Aluminum ST Plate
 UMW702 Aluminum Crank Arm

Bump Steer Spacer: 0 mm

Axel Height Spacer:
 _____ mm
 1 mm

Caster Block Position:
 In (Wide/Std)
 Out (Narrow)

Knuckle:
 UM763 (Std)
 UM714

Wheelbase:
 F 0 mm R 1 mm

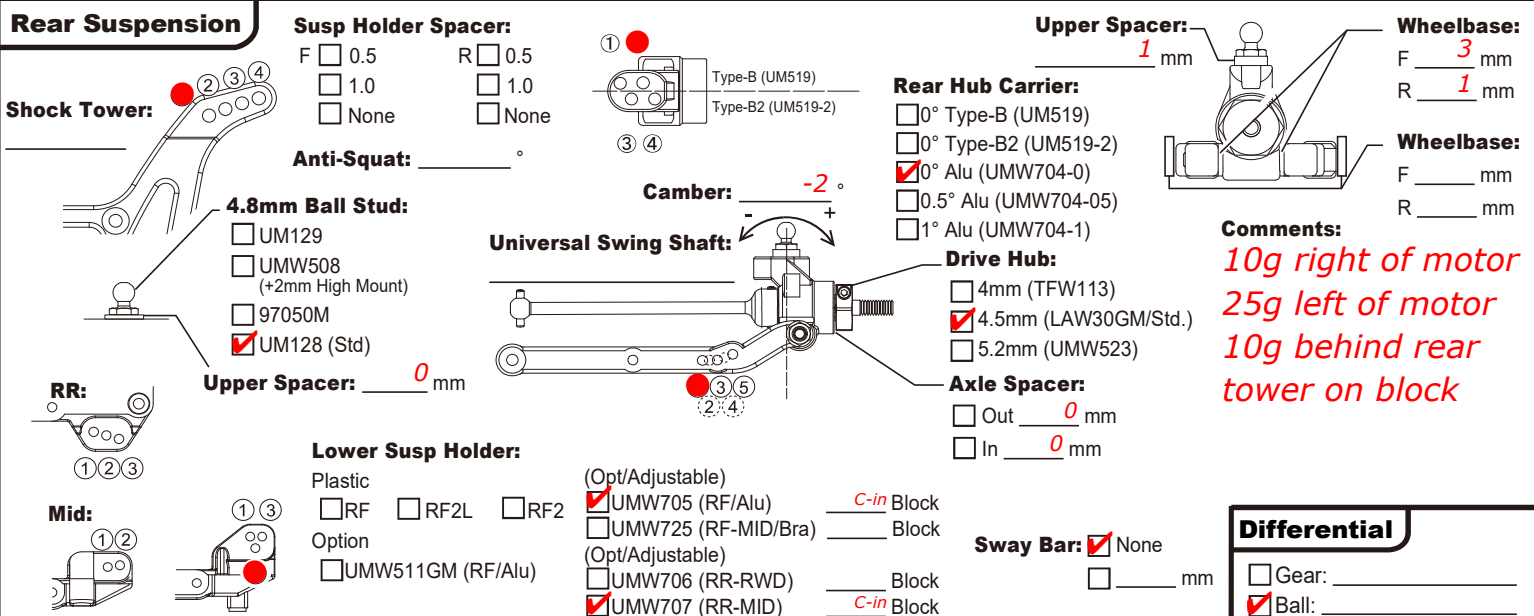
Caster:
 25°
 30°

Caster Block:
 0.5 0°
 1.0 2°
 None 4°

Spacer:
 A (UM502) B (UMW722/Brass) B (UMW723/Alu) B (UMW723/Alu)

Comments: _____

Rear Suspension



Shock Tower: _____

Anti-Squat: _____°

4.8mm Ball Stud:
 UM129
 UMW508 (+2mm High Mount)
 97050M
 UM128 (Std)

Upper Spacer: 0 mm

RR: _____

Mid: _____

Susp Holder Spacer:
 F 0.5 1.0 None R 0.5 1.0 None

Type-B (UM519)
 Type-B2 (UM519-2)

Universal Swing Shaft: _____

Camber: -2°

Rear Hub Carrier:
 0° Type-B (UM519)
 0° Type-B2 (UM519-2)
 0° Alu (UMW704-0)
 0.5° Alu (UMW704-05)
 1° Alu (UMW704-1)

Drive Hub:
 4mm (TFW113)
 4.5mm (LAW30GM/Std.)
 5.2mm (UMW523)

Axle Spacer:
 Out 0 mm
 In 0 mm

Upper Spacer: 1 mm

Wheelbase:
 F 3 mm R 1 mm

Wheelbase:
 F _____ mm R _____ mm

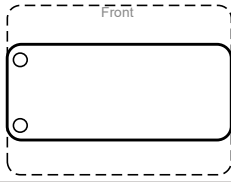
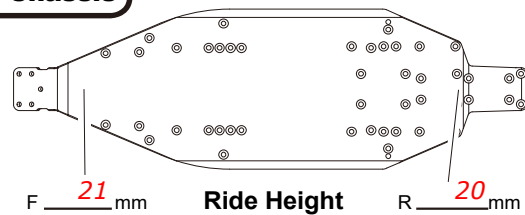
Comments:
10g right of motor
25g left of motor
10g behind rear tower on block

Lower Susp Holder:
 Plastic RF RF2L RF2
 Option UMW511GM (RF/Alu)

(Opt/Adjustable)
 UMW705 (RF/Alu) _____ C-in Block
 UMW725 (RF-MID/Bra) _____ Block
 UMW706 (RR-RWD) _____ Block
 UMW707 (RR-MID) _____ C-in Block

Sway Bar: None _____ mm

Differential:
 Gear: _____
 Ball: _____

Shocks		Battery placement	Transmission
Piston:	Front: <u>2 hole 1.6</u> Rear: <u>2 hole 1.7</u>	 <u>Battery is middle</u>	<input type="checkbox"/> Rear Motor <input type="checkbox"/> Mid-Ship 3 Gear <input type="checkbox"/> Mid-Ship 4 Gear <input checked="" type="checkbox"/> Mid-Ship Laydown
Oil:	# <u>550</u> # <u>500</u>		Battery Type <input type="checkbox"/> Straight <input type="checkbox"/> Separate <input checked="" type="checkbox"/> Short Type <u>Trinity 4000 Graphene</u>
Spring:	<u>Red</u> <u>Gold</u>	Chassis  F <u>21</u> mm Ride Height R <u>20</u> mm	
Limiters:	In _____ mm In _____ mm Out _____ mm Out _____ mm		
Length (A):	<u>20</u> mm <u>28</u> mm		
O-Ring:	<u>xring</u> <u>xring</u>		
Shock Top Type:	<input checked="" type="checkbox"/> Alu (UM719/Std) <input type="checkbox"/> UM753-1		
Ball End Type:	Front <input type="checkbox"/> S <input checked="" type="checkbox"/> M <input type="checkbox"/> L Rear <input checked="" type="checkbox"/> S <input type="checkbox"/> M <input type="checkbox"/> L		

Track Condition	Wing
<input checked="" type="checkbox"/> Smooth <input type="checkbox"/> Bumpy <input type="checkbox"/> Low Traction <input checked="" type="checkbox"/> Med. Traction <input type="checkbox"/> High Traction <input type="checkbox"/> Wet <input type="checkbox"/> Dry	<input type="checkbox"/> UM767 (Std) <input type="checkbox"/> Step 2.0 - Straight <input type="checkbox"/> Step 3.0 - Round <input checked="" type="checkbox"/> Other <u>LFRTactic wing</u>
<input type="checkbox"/> Sandy <input type="checkbox"/> Soft Dirt <input type="checkbox"/> Grass <input type="checkbox"/> Blue Groove <input checked="" type="checkbox"/> Clay <input type="checkbox"/> Dusty <input type="checkbox"/> <u>Dust in line</u>	Lip: _____ mm

Tire	Other
Front: <u>slick AKA "Clay" X-Links</u> Rear: <u>Slick AKA "Clay" Chainlinks</u> Insert: <u>AKA</u> Wheel: <u>Kysoho</u>	Motor: <u>Trinity 7.5</u> ESC: <u>HW XR10</u> Ratio: <u>Futaba</u>

NOTES