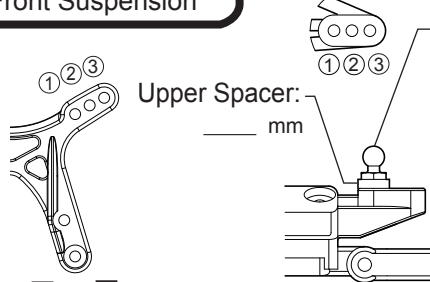


Name _____ Date _____ Track / City _____ Event _____

Front Suspension



Upper Spacer: _____ mm

4.8mm Ball Stud: UM128 (Std) UMW508 (+2mm High Mount)

Camber: _____ °

Axle Spacer: Out _____ mm In _____ mm

4.8mm Ball Stud Spacer: _____ mm

Wheel Hub: _____ mm

Ackerman Steer Spacer: _____ mm

Bump Steer Spacer: _____ mm

Toe: In Out _____ °

Tie Rod: _____

Front Bulkhead Weight Placement: None Bulkhead Inside _____ oz _____ g On the skid plate _____ oz _____ g

Caster: 25° 30° 0.5 1.0 None 0° 2° 4° IN (wide/Std) OUT (Narrow)

Caster Block position: IN (wide/Std) OUT (Narrow)

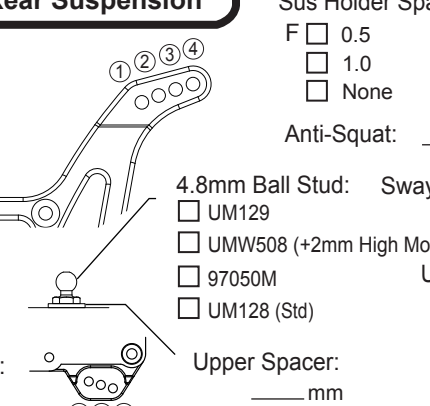
Axle Height Spacer: _____ mm _____ mm

Front Axle: UM569 (RB6) UM506 (RB5)

Comments: _____

Wheelbase: F: _____ mm R: _____ mm

Rear Suspension



Sus Holder Spacer: F 0.5 1.0 None R 0.5 1.0 None

Anti-Squat: _____ °

4.8mm Ball Stud: UM129 UMW508 (+2mm High Mount) 97050M UM128 (Std)

Sway Bar: None _____ mm

Camber: _____ °

Upper Spacer: _____ mm

Wheelbase: F: _____ mm R: _____ mm

RR: _____

Mid: _____

Lower Sus Holder: Normal RF RF2 Aluminum(Opt) UMW511+UMW512 UMW514+UMW515 RM MM UMW705+UMW706 UMW705+UMW707

Universal Swing Shaft: _____

Axle Spacer: Out _____ mm In _____ mm

Arm: UM713 UM521 UM566 UM521-1 UM503

Rear Hub Toe: 0° 0.5° 1° UM519 UM519-2 Alu (UMW516) Alu (UMW704)

Comments: _____

Motor Position

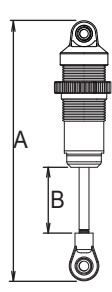
Rear Motor Midship Motor

Diff.

Gear Diff. # _____ Ball Diff.

Shock

	Front			Rear		
Shock Piston:	_____	_____	_____	_____	_____	_____
Shock Oil:	# _____	_____	_____	# _____	_____	_____
Shock Spring:	_____	_____	_____	_____	_____	_____
Limiters:	in _____ mm	out _____ mm	_____ mm	in _____ mm	out _____ mm	_____ mm
Shock Length(A):	_____ mm	_____ mm	_____ mm	_____ mm	_____ mm	_____ mm
Shock Length(B):	_____ mm	_____ mm	_____ mm	_____ mm	_____ mm	_____ mm
O-ring:	_____	_____	_____	_____	_____	_____
Ball End type:	Front: S <input type="checkbox"/> M <input type="checkbox"/> L <input type="checkbox"/>	_____	_____	Rear: S <input type="checkbox"/> M <input type="checkbox"/> L <input type="checkbox"/>	_____	_____



Battery Placement:

Comment: _____

None Screw

Front _____ Rear _____

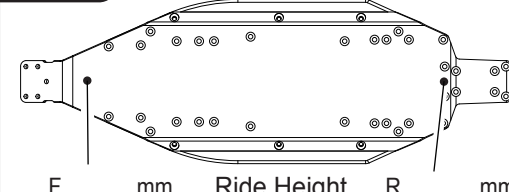
Foam: Front Rear None

Battery Type

Straight Separate Short

Type: _____

Chassis



F _____ mm Ride Height _____ mm R _____ mm

Other

Motor: _____

ESC: _____

Pinion/Spur: _____

Tire

	Tire	Compound	Insert	Wheel
Front:	_____	_____	_____	_____
Rear:	_____	_____	_____	_____
Comment:	_____			

Comment

Track Condition

- Smooth
- Bumpy
- Low Traction
- Med. Traction
- High Traction
- Wet
- Dry
- Sandy
- Soft Dirt
- Grass
- Blue Groove
- Clay
- Dusty

Wing

- Blast-S
- Blast-L
- Step-S
- Step-M
- Step-L
- Step 2.0
- _____
- Wing Mount: Narrow Wide
- Wing Angle: 4° 7° 10°
- Lip: _____