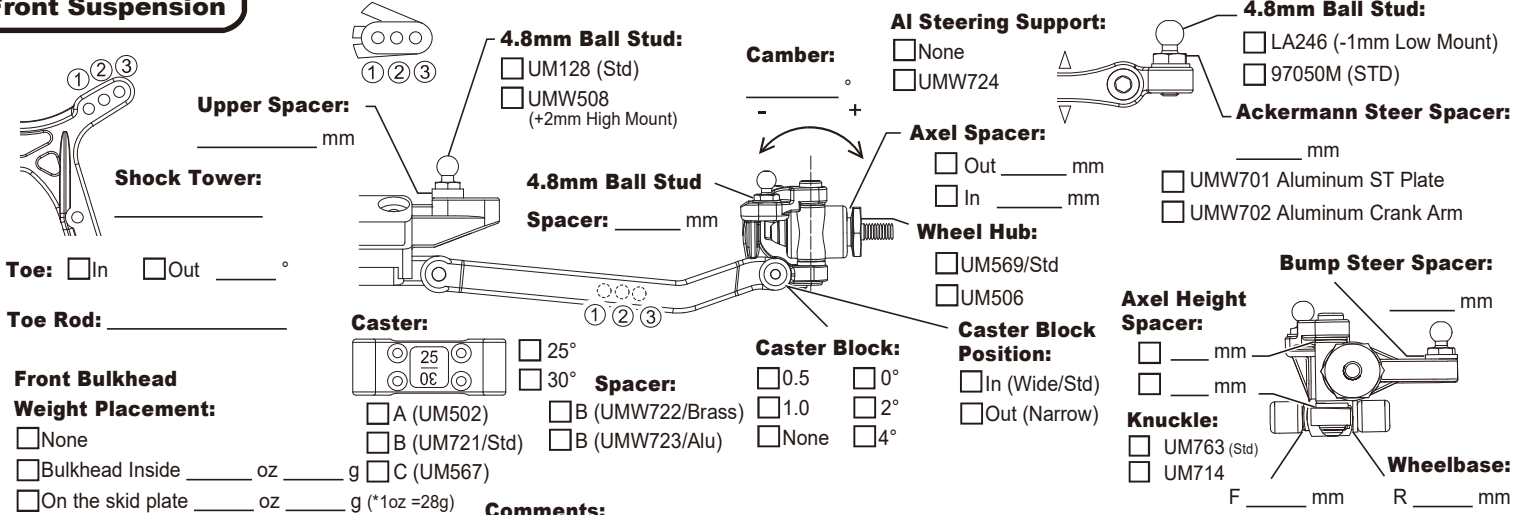


Name _____ Date _____ Track / City _____ Event _____

Front Suspension



Upper Spacer: _____ mm

Shock Tower: _____

Toe: In Out _____ °

Toe Rod: _____

Front Bulkhead Weight Placement:

None

Bulkhead Inside _____ oz _____ g

On the skid plate _____ oz _____ g (*1oz = 28g)

4.8mm Ball Stud:

UM128 (Std)

UMW508 (+2mm High Mount)

4.8mm Ball Stud Spacer: _____ mm

Caster:

25°

30°

Caster Block:

0.5 0°

1.0 2°

None 4°

AI Steering Support:

None

UMW724

4.8mm Ball Stud:

LA246 (-1mm Low Mount)

97050M (STD)

Ackermann Steer Spacer: _____ mm

UMW701 Aluminum ST Plate

UMW702 Aluminum Crank Arm

Axel Spacer:

Out _____ mm

In _____ mm

Wheel Hub:

UM569/Std

UM506

Caster Block Position:

In (Wide/Std)

Out (Narrow)

Bump Steer Spacer: _____ mm

Axel Height Spacer:

_____ mm

_____ mm

Knuckle:

UM763 (Std)

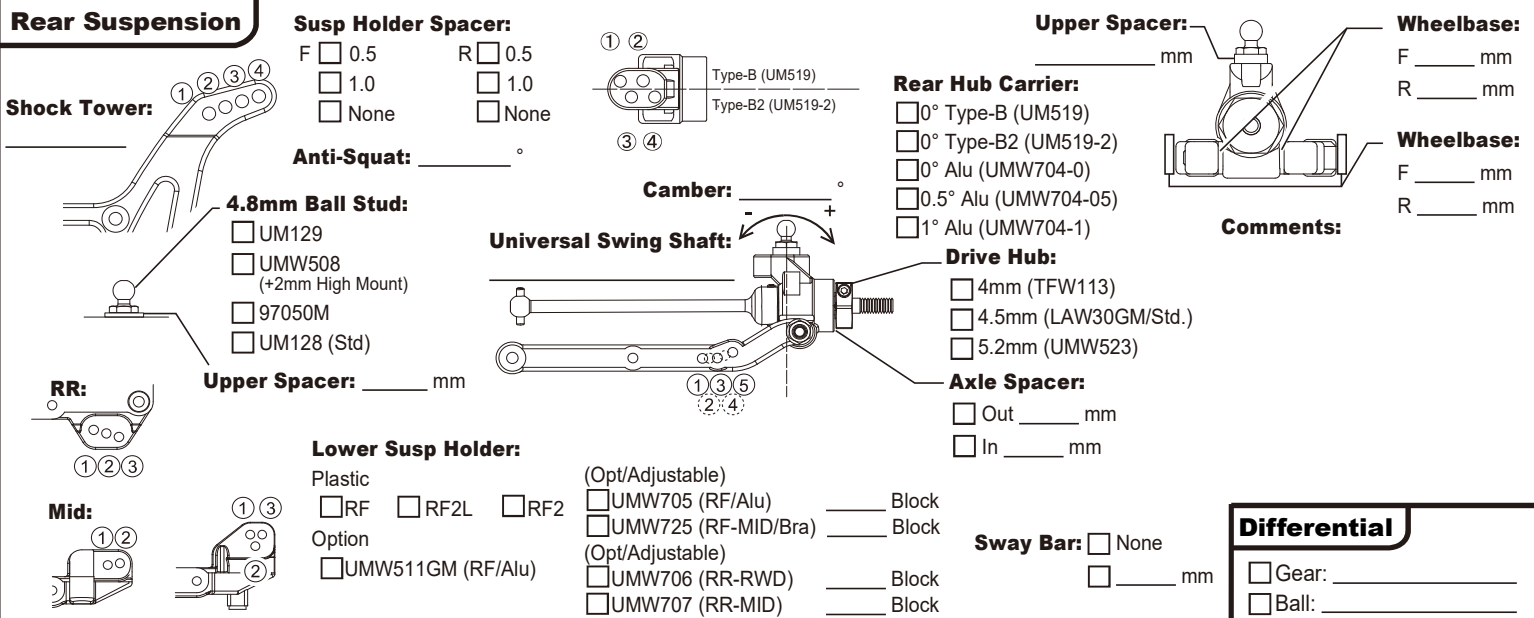
UM714

Wheelbase:

F _____ mm R _____ mm

Comments: _____

Rear Suspension



Shock Tower: _____

Anti-Squat: _____ °

4.8mm Ball Stud:

UM129

UMW508 (+2mm High Mount)

97050M

UM128 (Std)

Upper Spacer: _____ mm

RR: _____

Mid: _____

Susp Holder Spacer:

F 0.5 1.0 None

R 0.5 1.0 None

Universal Swing Shaft:

Type-B (UM519)

Type-B2 (UM519-2)

Camber: _____ °

Rear Hub Carrier:

0° Type-B (UM519)

0° Type-B2 (UM519-2)

0° Alu (UMW704-0)

0.5° Alu (UMW704-05)

1° Alu (UMW704-1)

Drive Hub:

4mm (TFW113)

4.5mm (LAW30GM/Std.)

5.2mm (UMW523)

Axle Spacer:

Out _____ mm

In _____ mm

Wheelbase:

F _____ mm R _____ mm

Wheelbase:

F _____ mm R _____ mm

Comments: _____

Lower Susp Holder:

Plastic

RF RF2L RF2

Option

UMW511GM (RF/Alu)

(Opt/Adjustable)

UMW705 (RF/Alu) _____ Block

UMW725 (RF-MID/Bra) _____ Block

(Opt/Adjustable)

UMW706 (RR-RWD) _____ Block

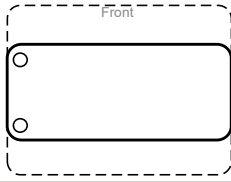
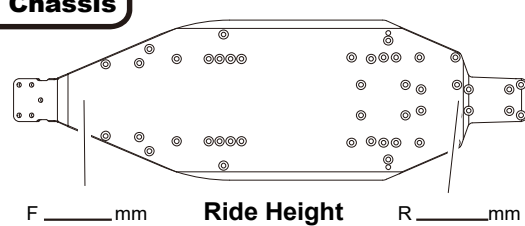
UMW707 (RR-MID) _____ Block

Sway Bar: None _____ mm

Differential:

Gear: _____

Ball: _____

Shocks	Front	Rear	Battery placement	Transmission
Piston:	_____	_____		<input type="checkbox"/> Rear Motor <input type="checkbox"/> Mid-Ship 3 Gear <input type="checkbox"/> Mid-Ship 4 Gear <input type="checkbox"/> Mid-Ship Laydown
Oil:	# _____	# _____		
Spring:	_____	_____		Battery Type <input type="checkbox"/> Straight <input type="checkbox"/> Separate <input type="checkbox"/> Short Type _____
Limiters:	In _____ mm	In _____ mm		
Length (A):	_____ mm	_____ mm	F _____ mm	Ride Height
O-Ring:	_____	_____	R _____ mm	
Shock Top Type:	<input type="checkbox"/> Alu (UM719/Std)	<input type="checkbox"/> UM753-1		
Ball End Type:	Front <input type="checkbox"/> S <input type="checkbox"/> M <input type="checkbox"/> L	Rear <input type="checkbox"/> S <input type="checkbox"/> M <input type="checkbox"/> L		

Track Condition

Smooth Sandy

Bumpy Soft Dirt

Low Traction Grass

Med. Traction Blue Groove

High Traction Clay

Wet Dusty

Dry _____

Wing

UM767 (Std)

Step 2.0 - Straight

Step 3.0 - Round

Other _____

_____ mm

Lip: _____ mm

Tire

Front _____

Rear _____

Tire _____

Insert _____

Wheel _____

Other

Motor: _____

ESC: _____

Ratio: _____

NOTES